

B.Y.O.D

BUILD YOUR OWN DOOR
PATENT APPLIED FOR

- BUILD IT YOURSELF
- SAVE MORE MONEY
- AFFORD MORE DOORS
- CUT OUT THE MIDDLEMAN

A NEW INNOVATION FROM SCHWEISS DOORS



SCHWEISS
DOORS

SCHWEISSDOORS.COM

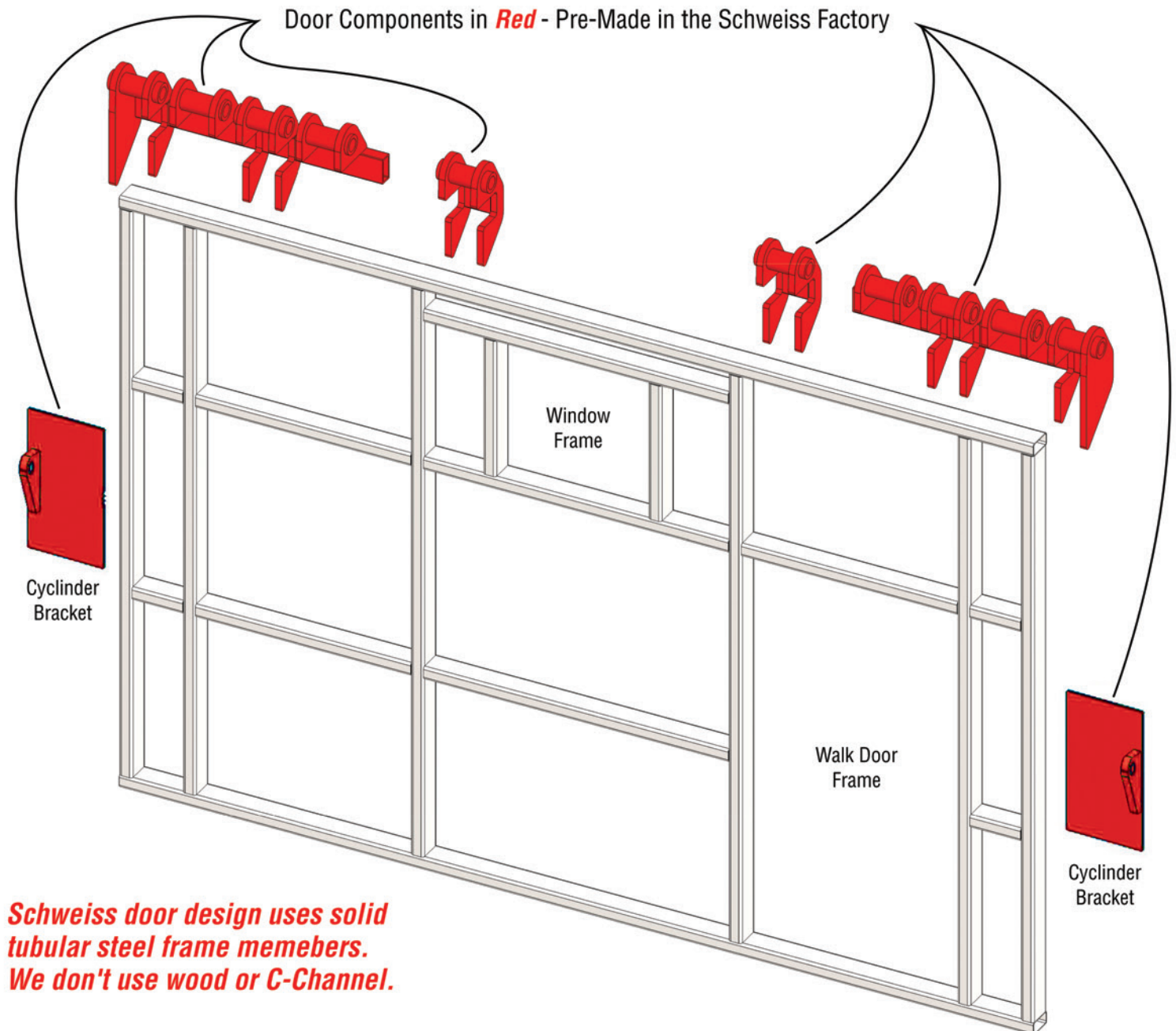
507-426-8273

BUILD YOUR OWN DOOR KIT...

B.Y.O.D. - Only from Schweiss Doors

WELD YOUR OWN DOORFRAME

Schweiss furnishes an easy to read blueprint and complete steel list to get you started building your own doorframe. Hinge components are pre-welded into an assembly for your convenience, simply position the hinges and weld them on!



Schweiss door design uses solid tubular steel frame members. We don't use wood or C-Channel.

Manufacturing plans from the Schweiss Design Team are included with each hydraulic doorframe. All welding and fabrication of the subframe & doorframe will be done by the customer, under Schweiss direction.

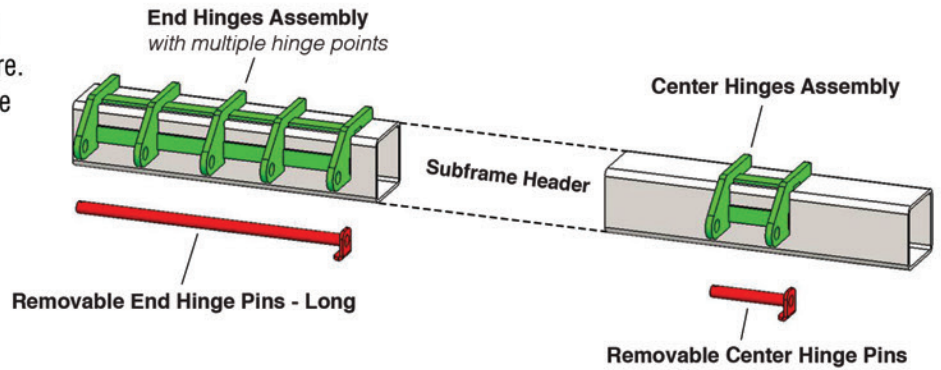
SPHERICAL BEARINGS

Spherical bearings are fixed on each end of the cylinder brackets to allow cylinder maneuverability as it opens or closes the door preventing stress or damage to cylinder or doorframe. Schweiss doors introduced this important safety feature of Spherical bearings to the hydraulic door world. It wasn't long after that we had followers doing the same, but there are those who haven't caught on yet!

SUBFRAME SYSTEM

Subframe & Door Frame design limits the amount of additional stresses the door and it's operation exerts on the building structure. Highly engineered one piece pre-hung frame allows a relatively trouble free installation.

- Sub-Frame Header size 5" x 5"
- Sub-Frame Verticle Legs 4" x 5"

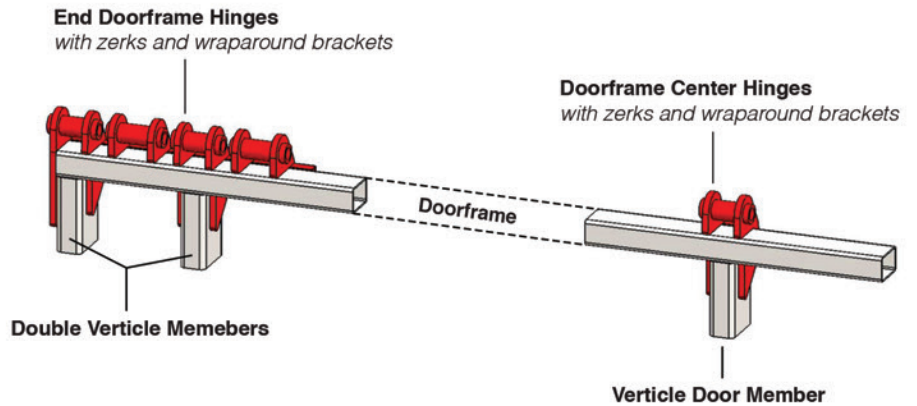


DOORFRAME SYSTEM

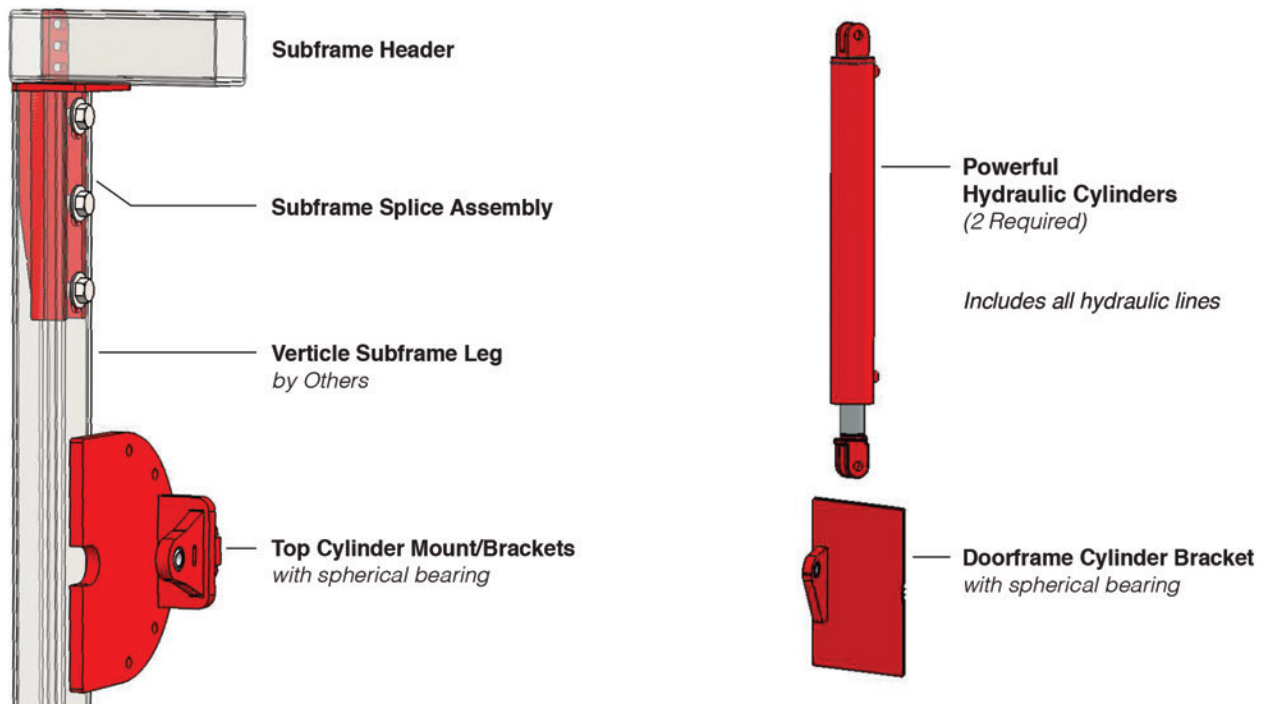
- Typical Door Frame sizes 2"x 4" members on 60" centers.
 - Schweiss has an all steel door frame
 - Schweiss never uses Wood on their door frames!
- Schweiss is the only door manufacturer that specifies double cylinder push tubes 2" x 4"
 - Note: Some companys space hinges with verticle 2" x 3" members... every 10' Lighter weight design!

- Hinge Assembly - Hinges wrap around the horizontal door frame and verticle uprights.
 - Easy weld on Hinge design
 - Only from Schweiss.

- Greasable Hinges - Easy to get to from the inside... the Schweiss Advantage! Unlike others who have no zirks or must remove the top rubber gasket which is time consuming and difficult and likely will never get done!



- Removable Hinge Pins - Nice Feature... Some weld them in solid!



BUILD YOUR OWN DOOR KIT

Schweiss has designed and figured out a simple way for customers to build their own hydraulic doorframe, but most important, without sacrificing the Schweiss quality and the unique design features we offer!

Benefits of building your own door are not only rewarding but it can save thousands of dollars. We have customers that start out with one door and soon after they are ordering their second and third doors.

We realized the great demand for the popular Schweiss hydraulic door design and figured out a way for customers who are willing to weld their own steel doorframes together to purchase our major hydraulic door components that are properly sized from Schweiss Doors.

The challenge when figuring out the Build Your Own Door Kit, was to be able to develop a hinge that comes preassembled, prewelded and is robust in design. By going back to the drawing board the design team had its work cut out - the end results were very rewarding. In the design process we figured out a uni-body hinge design that wraps around the steel doorframe members, making it the strongest, most reliable hinge design in the door industry. It now includes the first of its kind hydraulic hinge on the market with grease zerks where hinges can be greased from inside the building. Others either have no grease zerks or must remove the outside rubber gasket at the top of the door to get to the grease zerks; very costly, time consuming and hard to get to. So guess what? The hinges are most likely left unlubricated! The Hydraulic Door Kit consists of a complete set of new heavy-duty end and center hinges with grease zerks, a factory wired Red Power hydraulic unit and all the seals necessary to provide a weathertight door.



A NEW INNOVATION FROM SCHWEISS DOORS

- ***Do it yourself... Cut out the "Middleman" and SAVE MONEY!***
- ***"The savings are in Your pocket which allows You to afford more doors."***
- ***100% satisfaction guarantee... The Schweiss warranty!***

IF YOU HAVE A WELDING SHOP, IT CAN ALSO BE A GREAT WAY TO MAKE EXTRA MONEY!

SCHWEISSDOORS.COM

507-426-8273